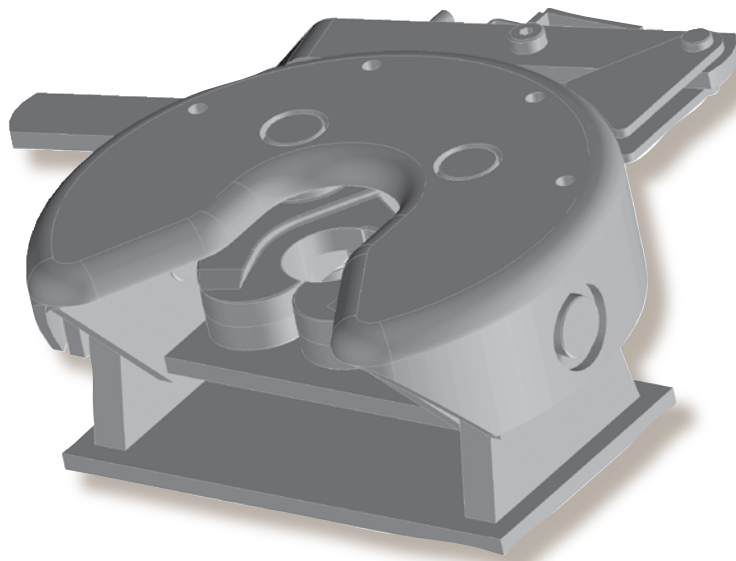




**FW0001**

Light Commercial

Fifth Wheel



# FW0001

**LIGHT  
COMMERCIAL**

## Capacity:

3,632 kgs Maximum Vertical Load  
14,528 kgs Maximum Drawbar Pull

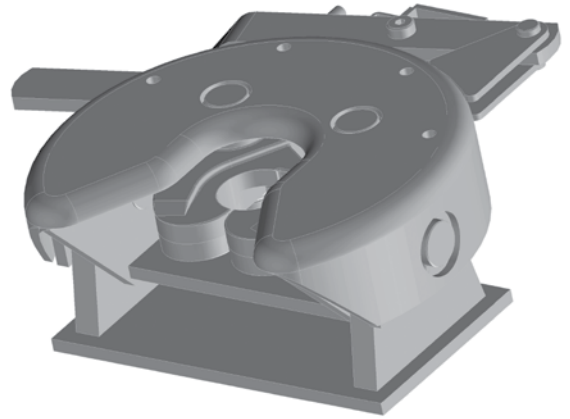
## Installation:

Tube type gooseneck and box type gooseneck installation

## Features:

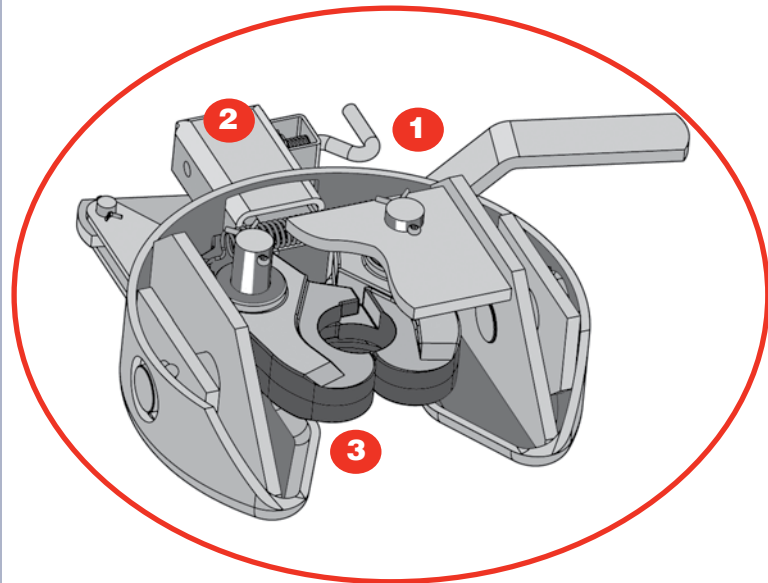
This light commercial fifth wheel features:

- ductile iron cast split locks and ductile iron locking block
- safety lock handle



## Locking System:

- 1** Safety Lock Handle
- 2** Ductile Iron Locking Block
- 3** Ductile Iron Cast Split Locks



**GO THE DISTANCE.**

**THE HOLLAND GROUP, INC.**  
467 Ottawa Avenue P.O. Box 2099 Holland, MI 49422-2099  
[www.thehollandgroupinc.com](http://www.thehollandgroupinc.com)

Copyright © March 2005 Holland Hitch (Aust.) Pty. Ltd.

**Western Region**  
P.O. Box 283  
WELSHPOOL BC WA 6986  
Mb: 0417 983 883

Ph:(08) 9353 6122 Fax: (08) 9353 6144

**Holland Hitch (Aust.) Pty. Ltd.**  
A.B.N. 79 004 371 215  
P.O. Box 63 - 115 High Street  
MELTON VIC 3337  
[www.hollandhitch.com.au](http://www.hollandhitch.com.au)

Ph:(03) 9743 6799 Fax: (03) 9743 6763

**Northern Region**  
P.O. Box 232  
GLASSHOUSE MOUNTAINS QLD 4518  
Mb: 0409 522 628

Ph:(07) 5438 7878 Fax: (07) 5438 7879